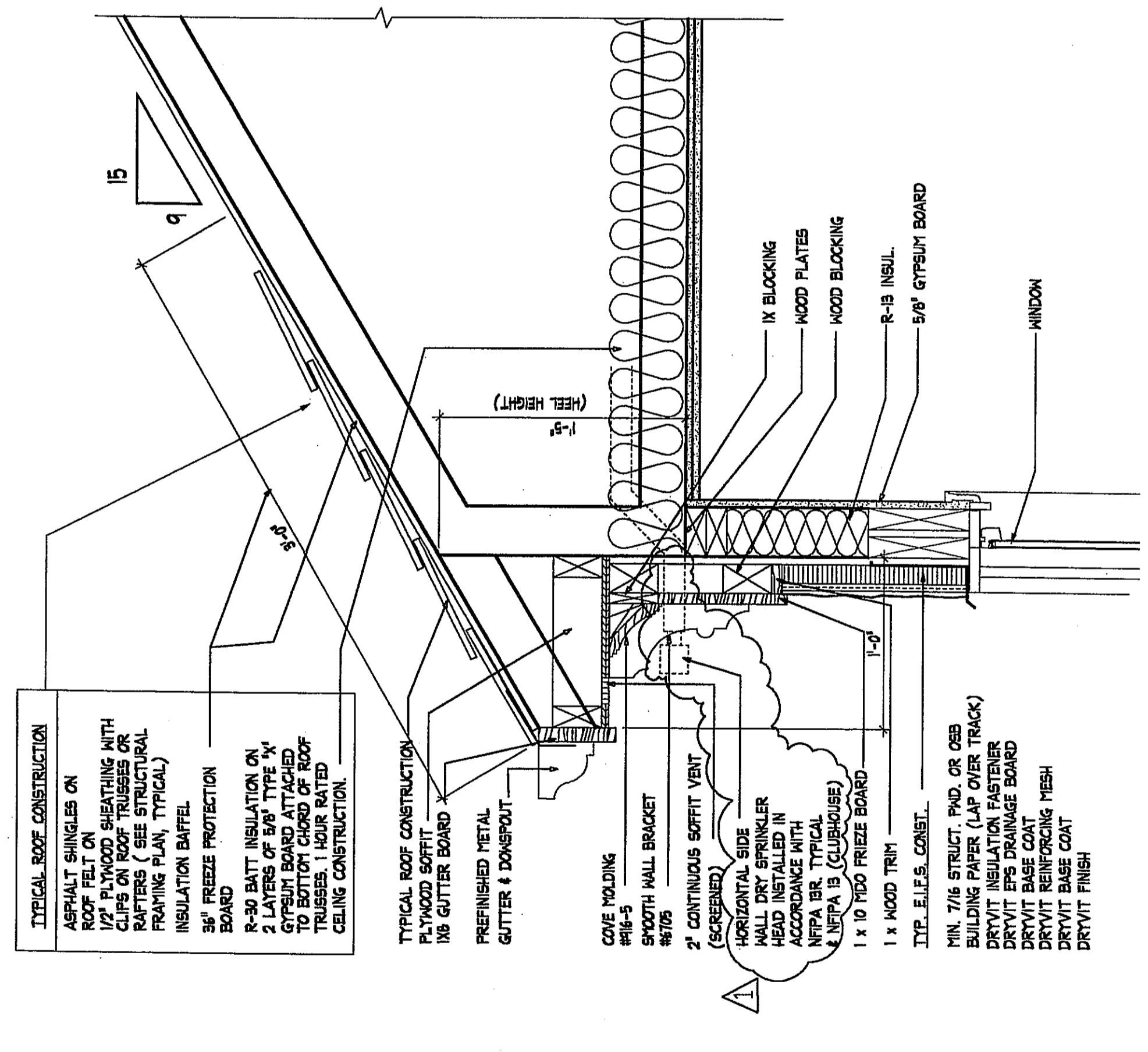
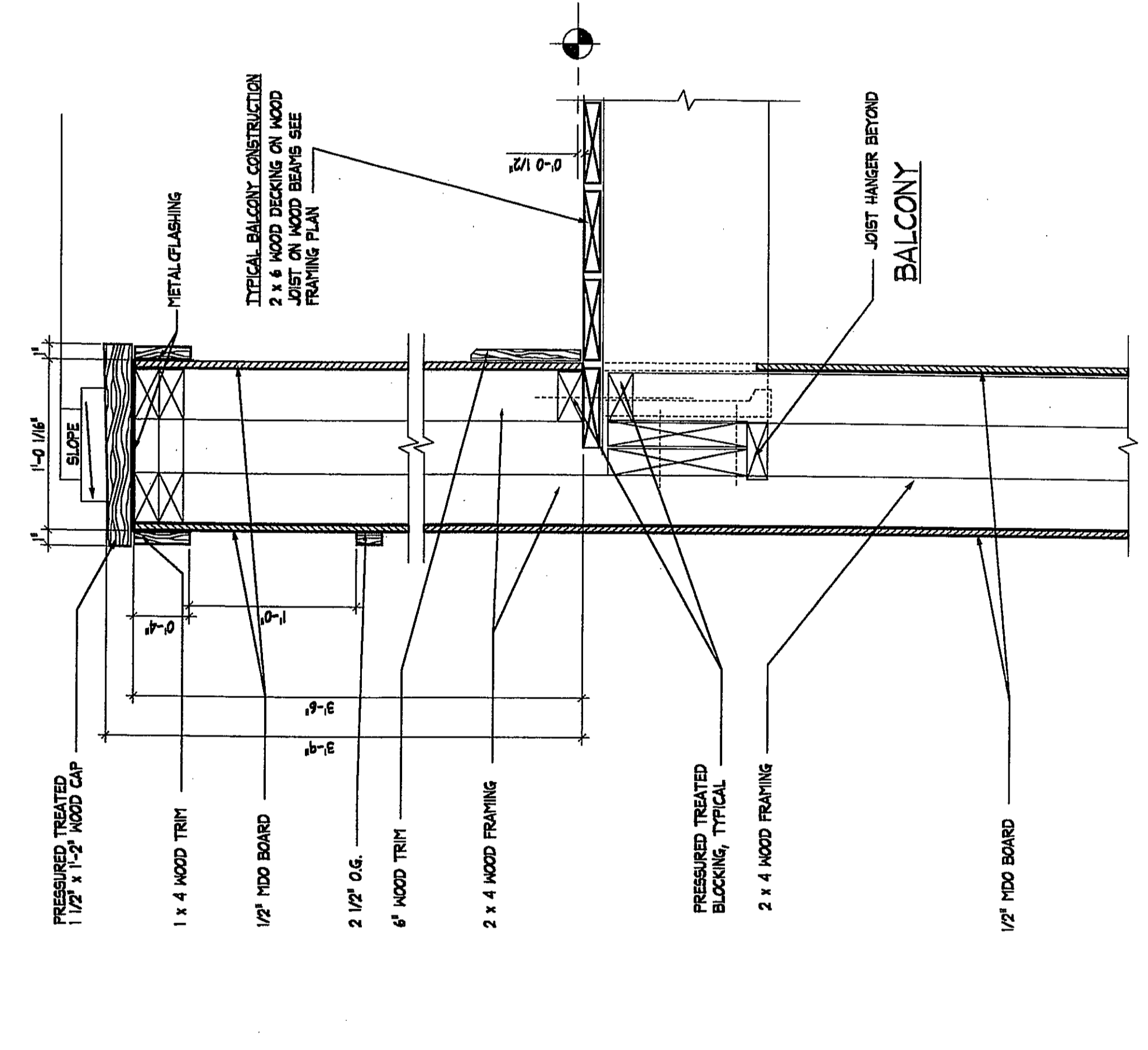


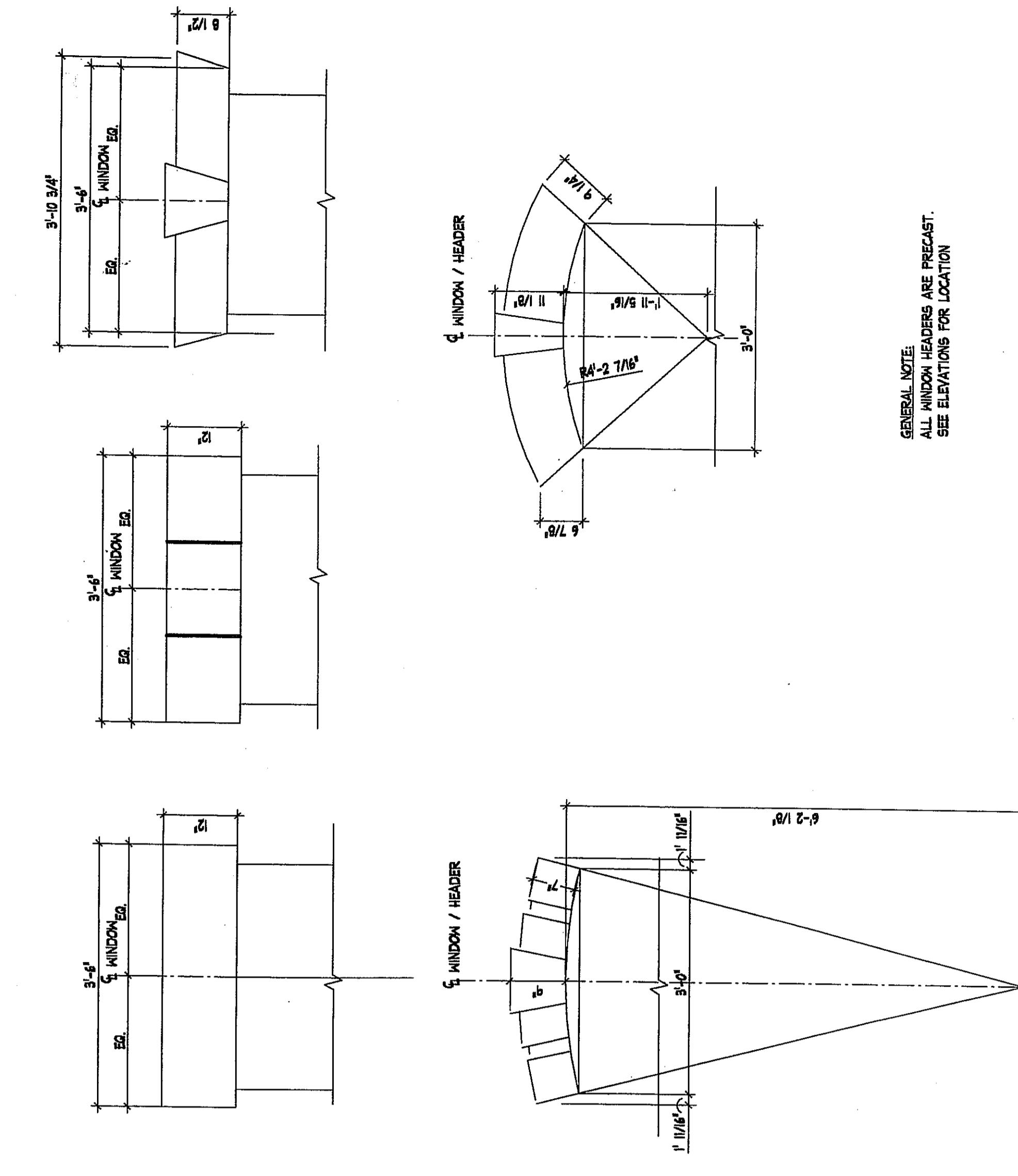
1 FRONT CORNICE AT WINDOW - DETAIL
SCALE 1/2\"/>



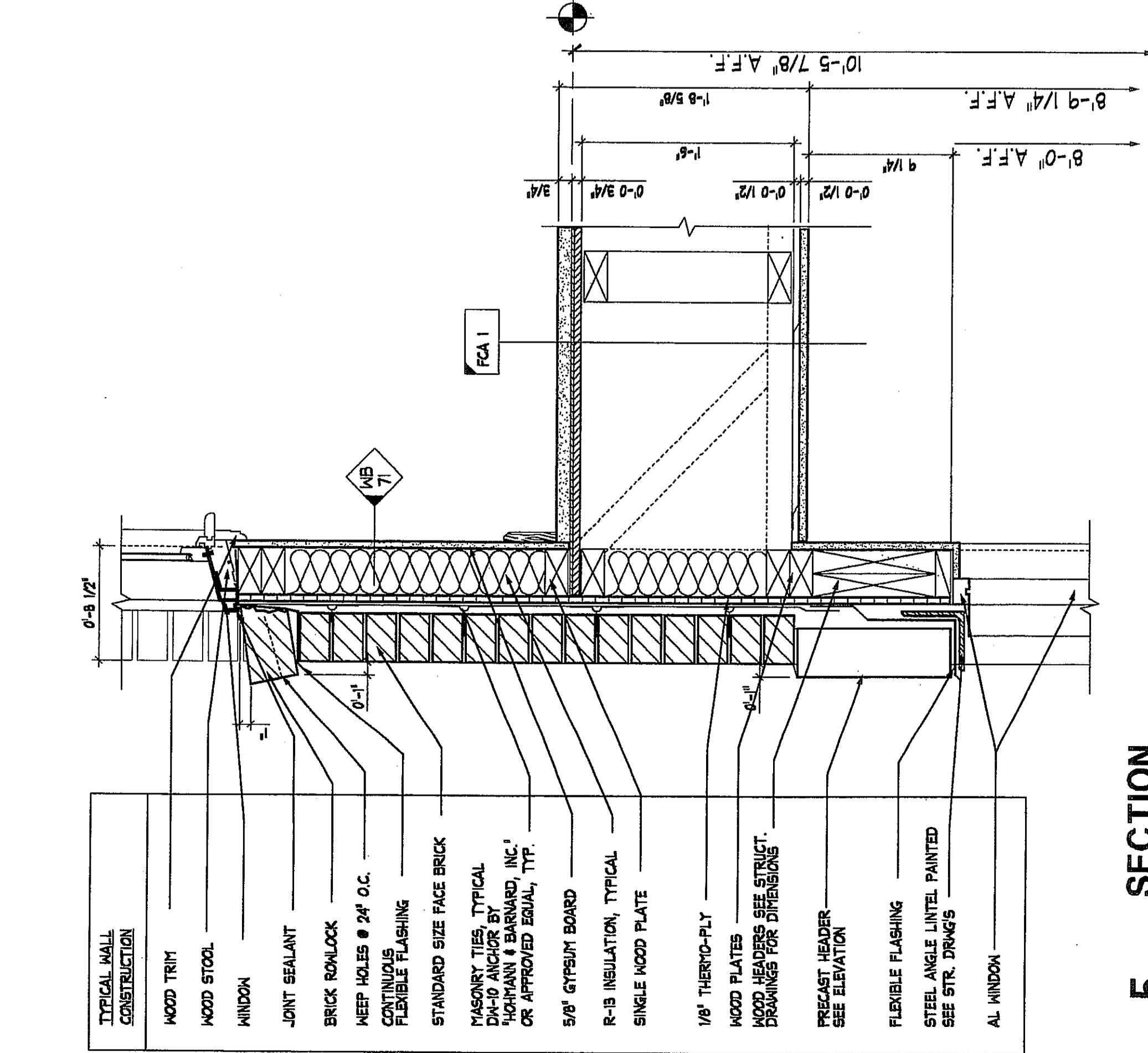
2 REAR CORNICE AT WINDOW - DETAIL
SCALE 1/2\"/>



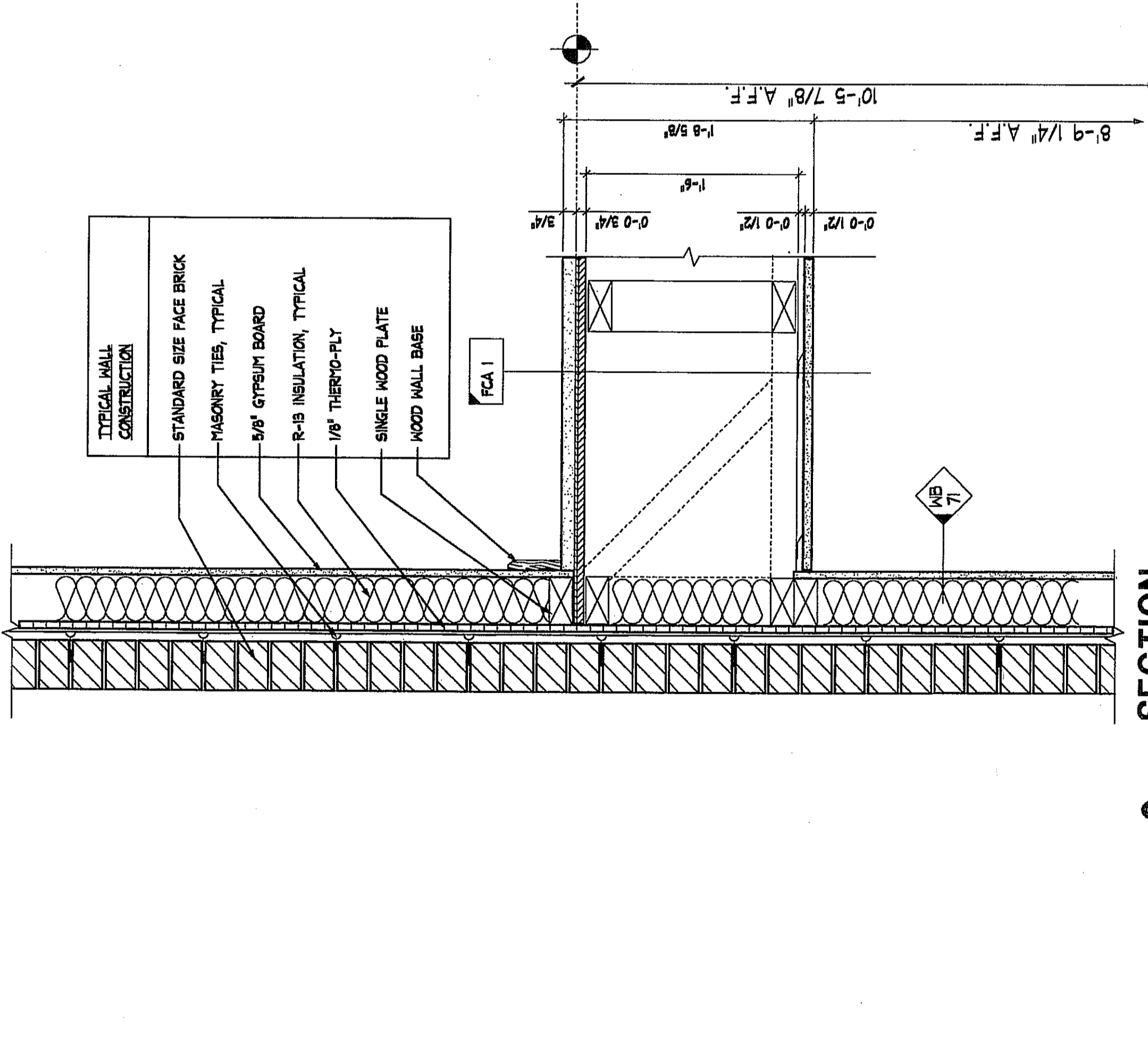
3 BALCONY COLUMN SECTION DETAIL
SCALE 1/2\"/>



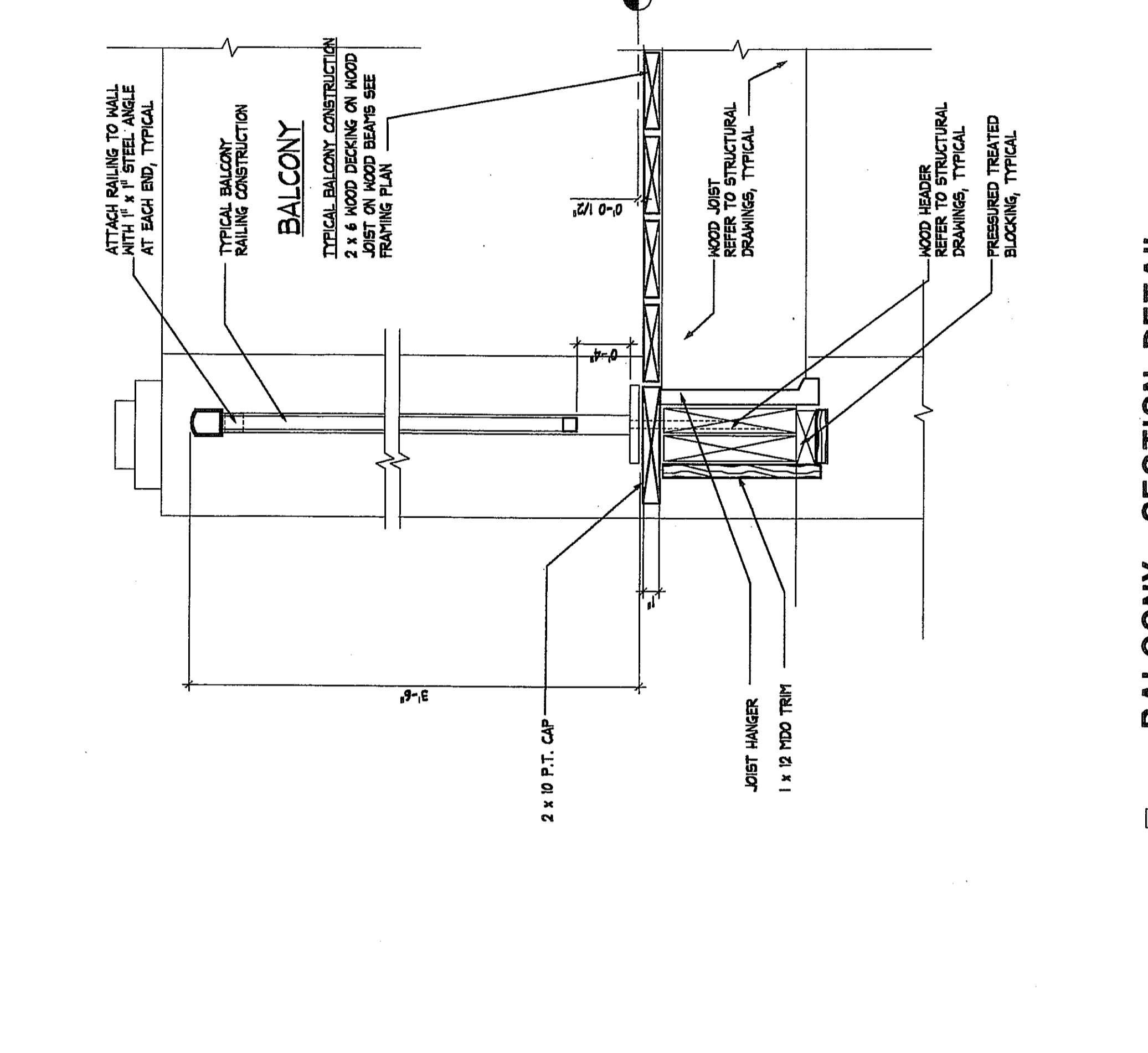
4 TYPICAL WINDOW HEADERS
SCALE 3/4\"/>



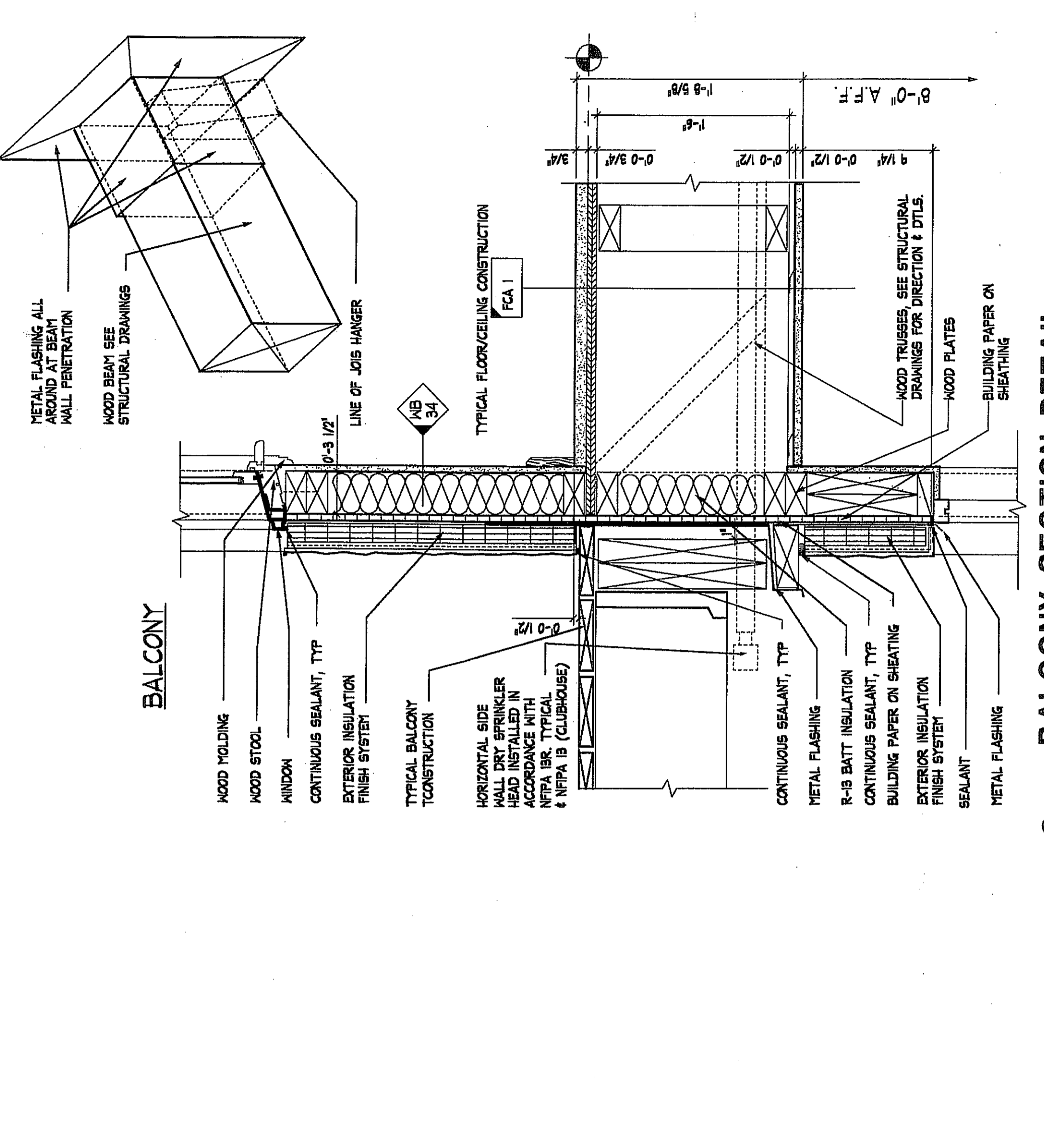
5 SECTION
SCALE 1/2\"/>



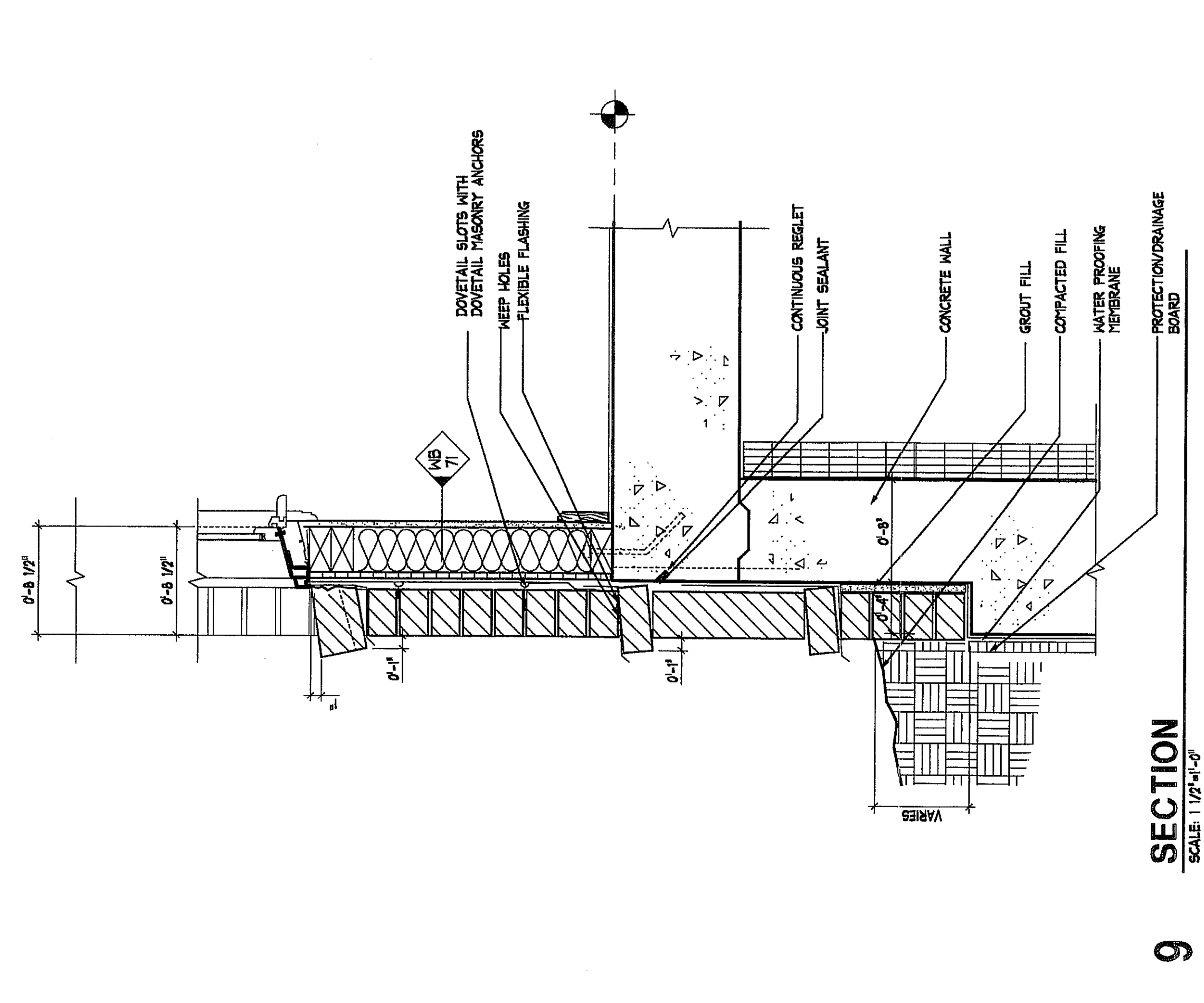
6 SECTION
SCALE 1/2\"/>



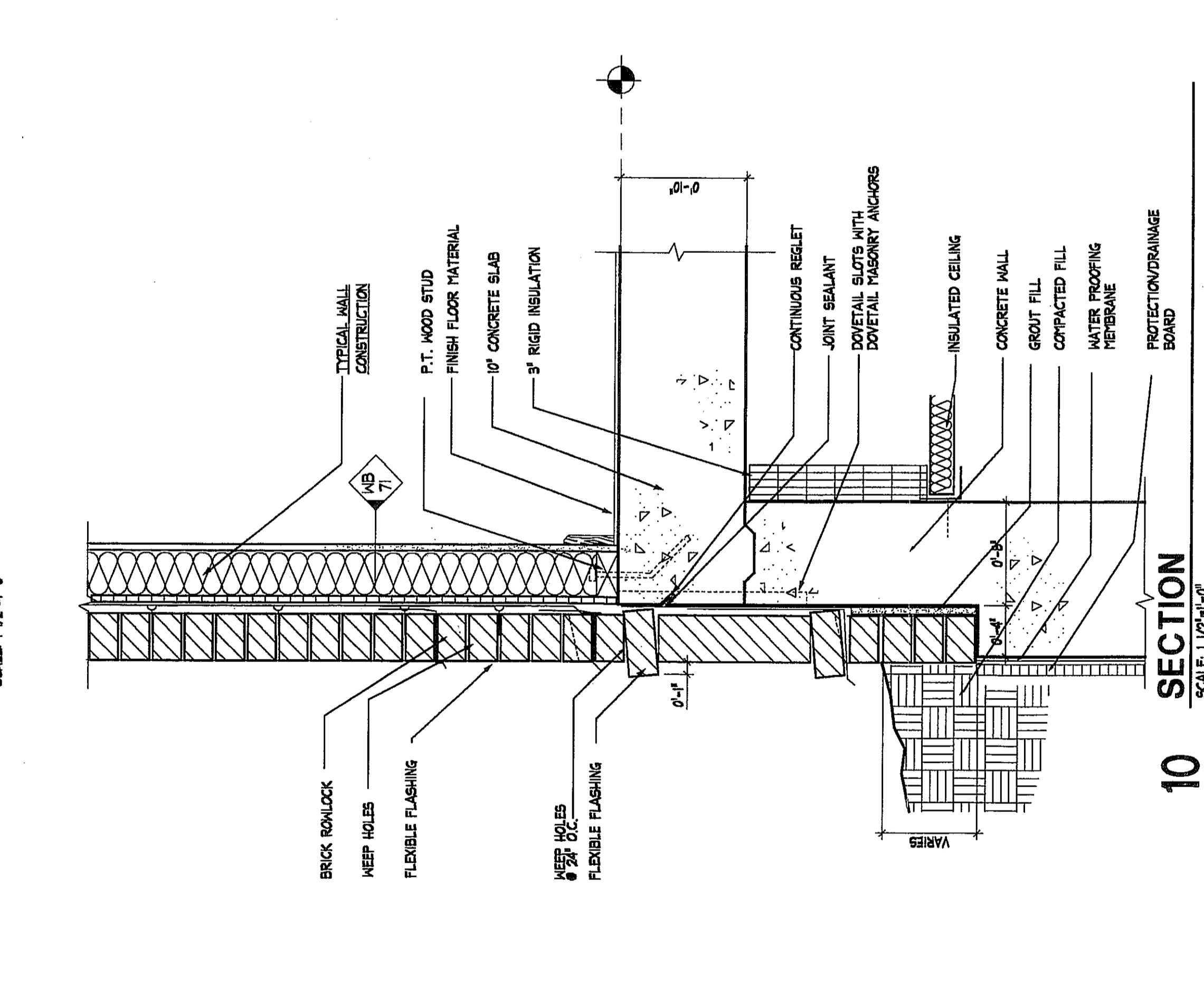
7 BALCONY SECTION DETAIL
SCALE 1/2\"/>



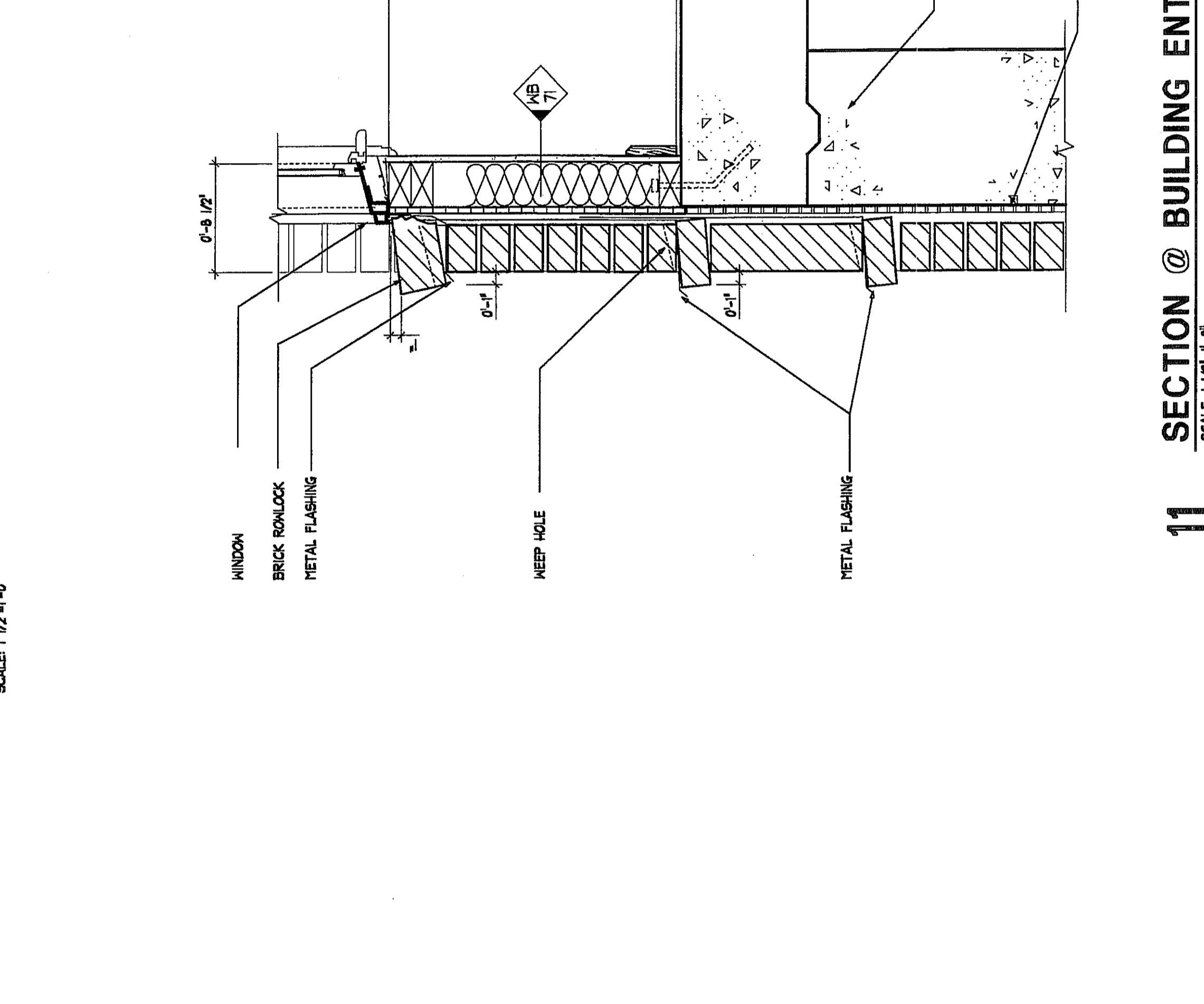
8 BALCONY SECTION DETAIL
SCALE 1/2\"/>



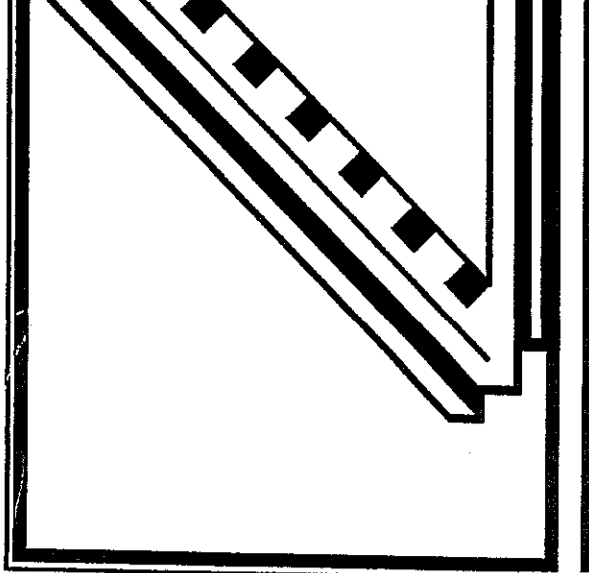
9 SECTION
SCALE 1/2\"/>



10 SECTION
SCALE 1/2\"/>



11 SECTION @ BUILDING ENTRANCE
SCALE 1/2\"/>



THE LESSARD ARCHITECTURAL GROUP INC.
8603 WESTWOOD CENTER DRIVE
SUITE 400, VIENNA, VA 22182
703/760-0844
703/760-0844
encl@lessardgroup.com
ARCHITECTURE • LAND PLANNING
URBAN DESIGN • ARCHITECTURAL ILLUSTRATIONS

OWNER / DEVELOPER
JADE
DEVELOPMENT COMPANY
830 OLD COURTHOUSE ROAD
SUITE 402, VIENNA, VA 22182
(703) 362-3255
(703) 362-3255 FAX

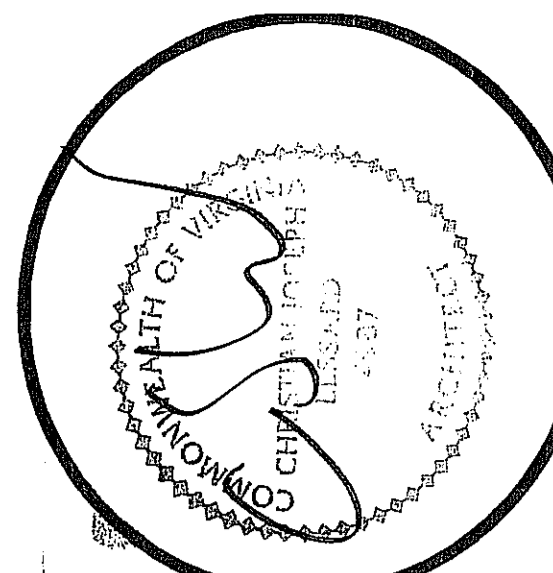
CIVIL ENGINEER
GREENHORN & OMARA, Inc.
2111 WALTERS MILL ROAD
SUITE 200, VIENNA, VA 22182
(703) 295-8665
(703) 345-5711 FAX

STRUCTURAL ENGINEER
MCS ENGINEERING, LLC
808 WESTWOOD CENTER DRIVE
SUITE 400
VIENNA, VA 22182
(703) 760-9484
(703) 760-9328

MEEP ENGINEER
JCS ENGINEERING Inc.
8603 WESTWOOD CENTER DRIVE
SUITE 302
VIENNA, VA 22182
(703) 885-2005

GEOTECHNICAL ENGINEER

DESIGNED BY: [Redacted]
DATE: 02/26/09



NO.	REVISION	DATE
1	COORD. AS PER COUNTY COMMENTS	02/26/09
2	COORD. AS PER COUNTY COMMENTS	02/26/09
3	COORD. AS PER COUNTY COMMENTS	02/26/09

DETAILS

DRAWING TITLE:

PROJECT NAME:
METRO PLACE CONDOS
AT DUNN LORING
FAIRFAX COUNTY
VIRGINIA

SCALE: 1/2\"/>

A6-01

NOTE: ALL EXTERIOR EXPOSED WOOD TO BE PRESSURE TREATED AND VINYL OR ALUM. WRAPPED (OPTIONAL)

NOTE: ALL EXTERIOR INSULATION FINISH SYSTEM HAS BEEN DELETED FROM THIS ENTIRE PROJECT. IT HAS BEEN REPLACED BY FACE BRICK AND HARDPLANK SYSTEM (@ DORMERS ONLY).