

THE LESSARD ARCHITECTURAL GROUP INC.

8603 WESTWOOD CENTER DRIVE
SUITE 400, VIENNA, VA 22182
703/760-3344
FAX 703/760-8328
email@lessardgroup.com

ARCHITECTURE & LAND PLANNING
URBAN DESIGN • ARCHITECTURAL ILLUSTRATIONS

OWNER / DEVELOPER
JADE
DEVELOPMENT COMPANY
658 OLD COUNTRY ROAD
SUITE 422, VIENNA, VA 22182
(703) 396-8393
(703) 367-4062 FAX

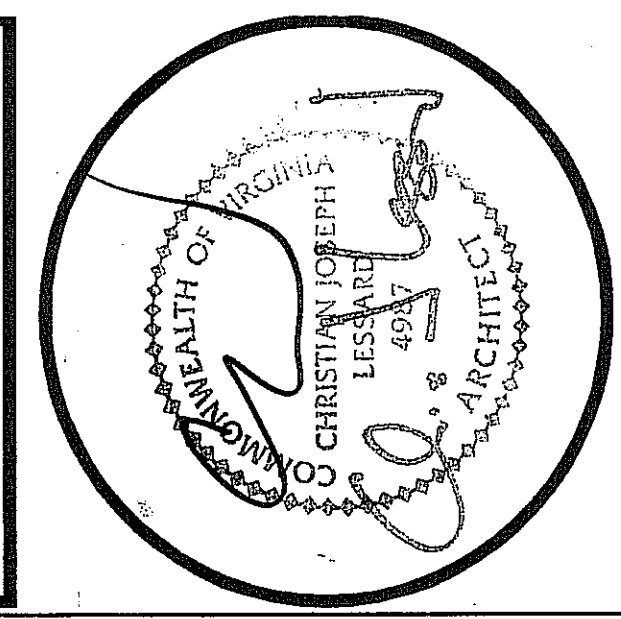
CIVIL ENGINEER
GREENHORN & O'MARA, Inc.
1311 WAPLES MILL ROAD
FAIRFAX, VA 22030
(703) 291-1100
(703) 365-5761 FAX

STRUCTURAL ENGINEER
MCS ENGINEERING, LLC
658 WESTWOOD CENTER DRIVE
SUITE 400
VIENNA, VA 22182
(703) 884-8002
(703) 799-5328

M.E.P. ENGINEER
JCS ENGINEERING Inc.
865 WESTWOOD CENTER DRIVE
SUITE 502
VIENNA, VA 22182
(703) 884-8002
(703) 884-8065

GEOTECHNICAL ENGINEER

DATE CHECKED BY: _____
NO. _____
REVISION _____
3 CONTROL AS PER COUNTY ORDINANCE 400-20



DRAWING TITLE:
DETAILS

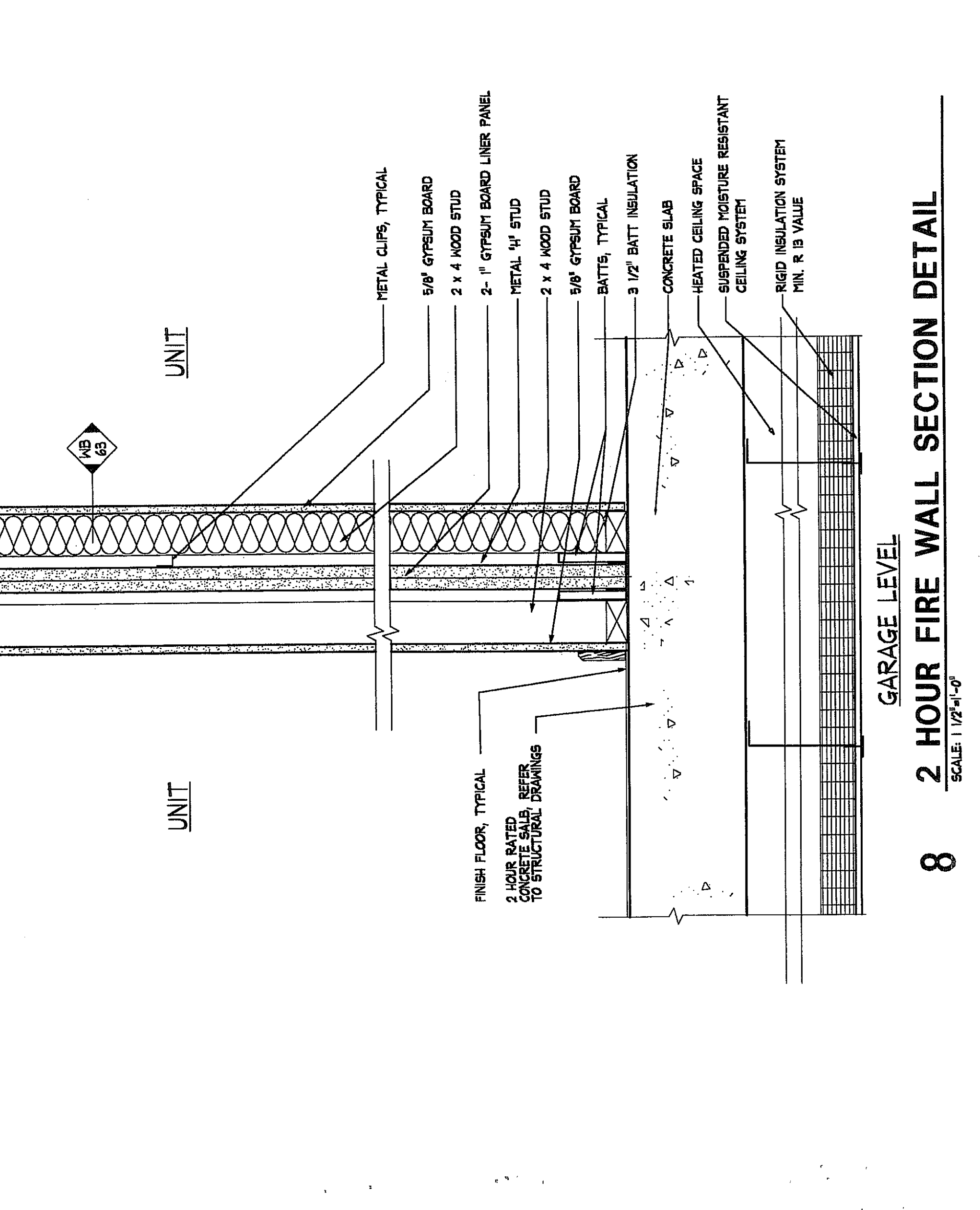
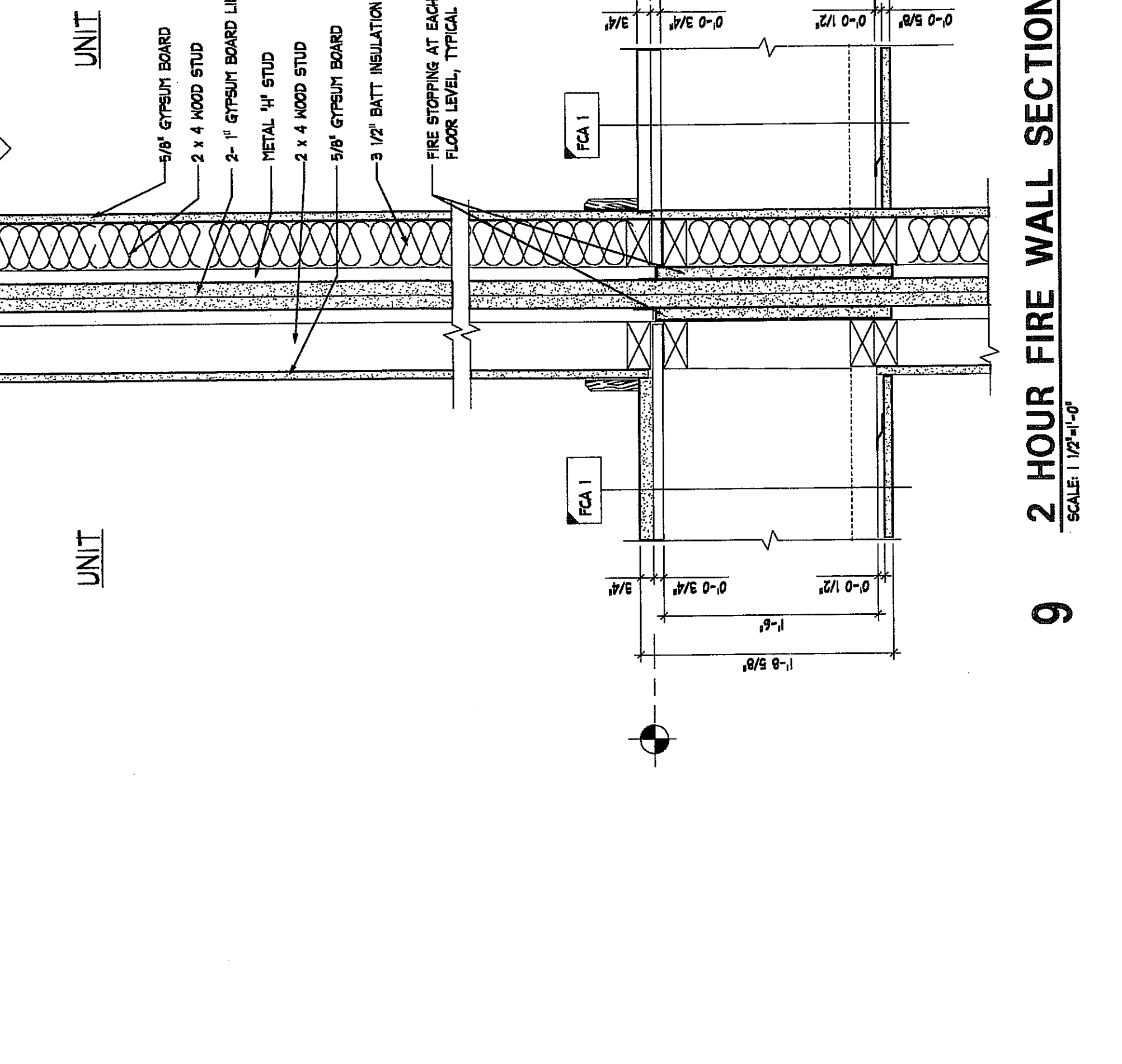
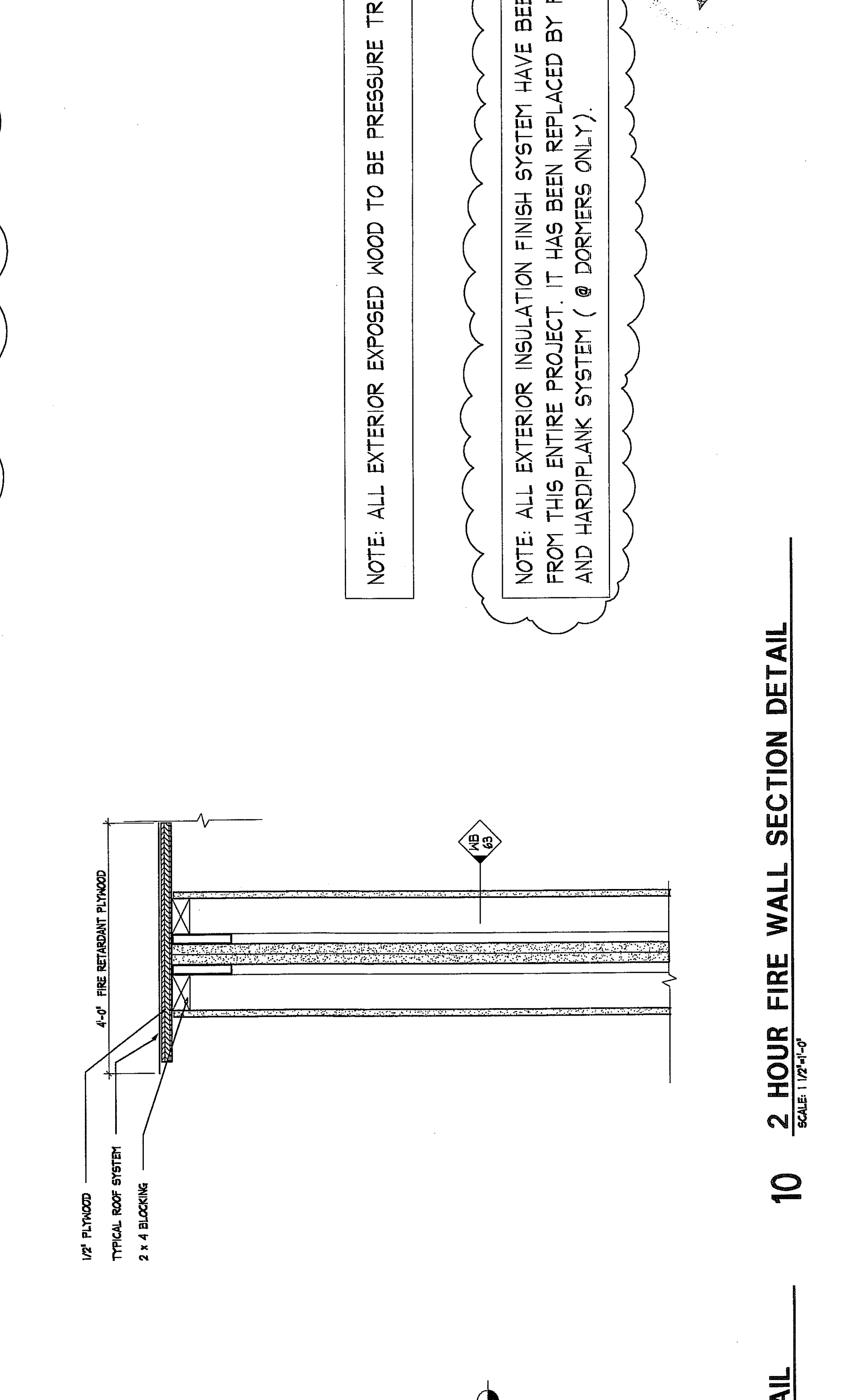
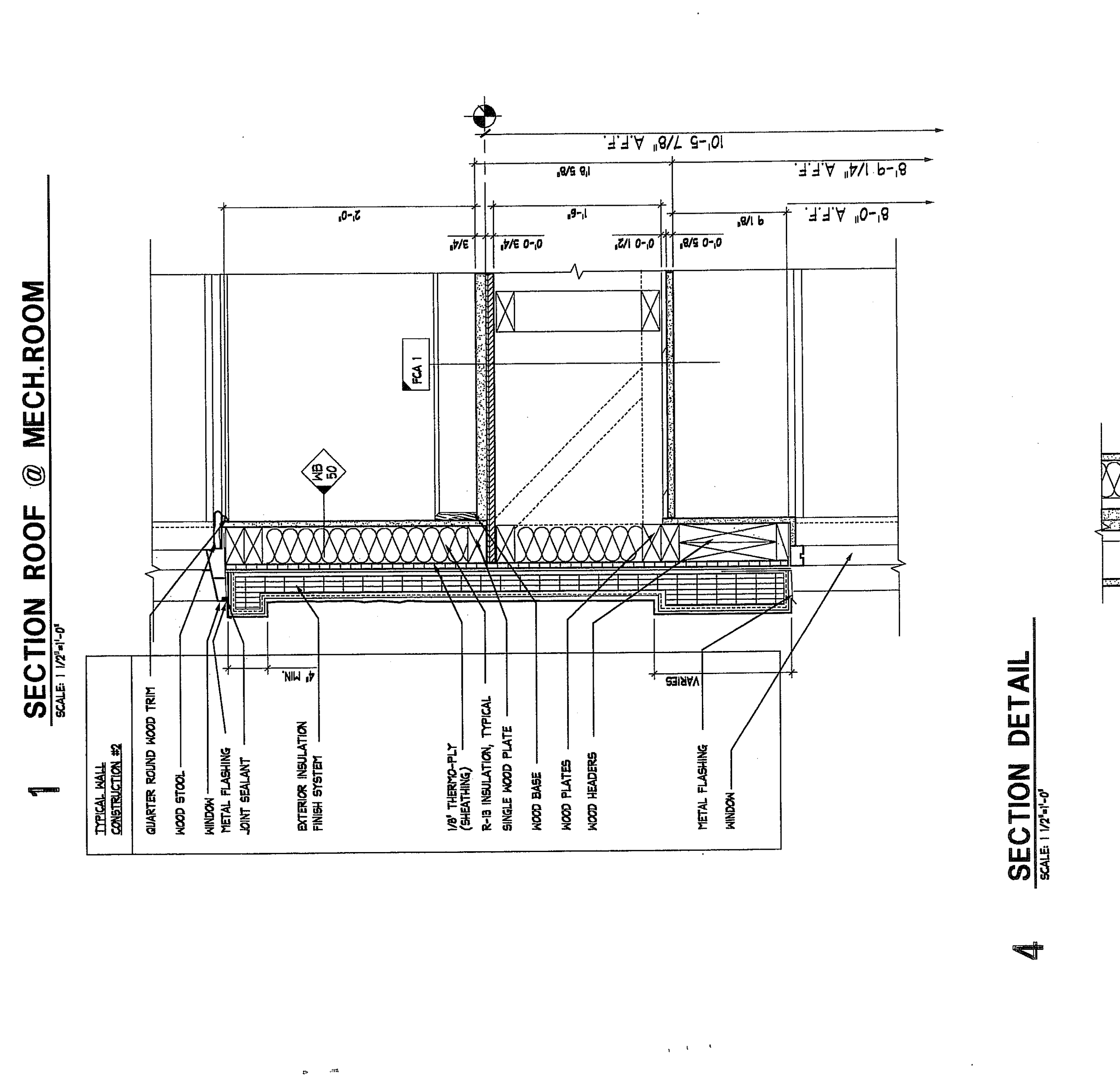
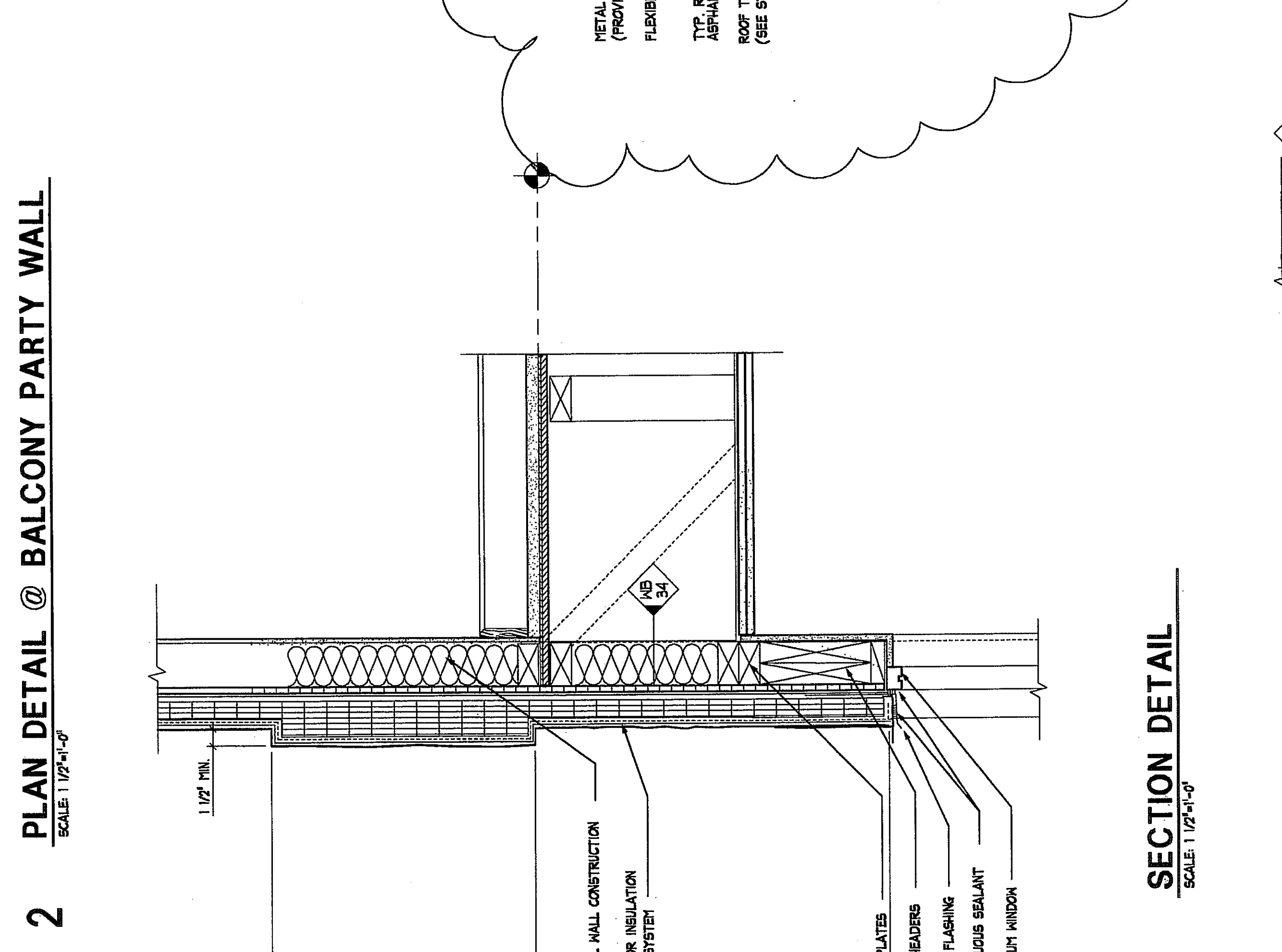
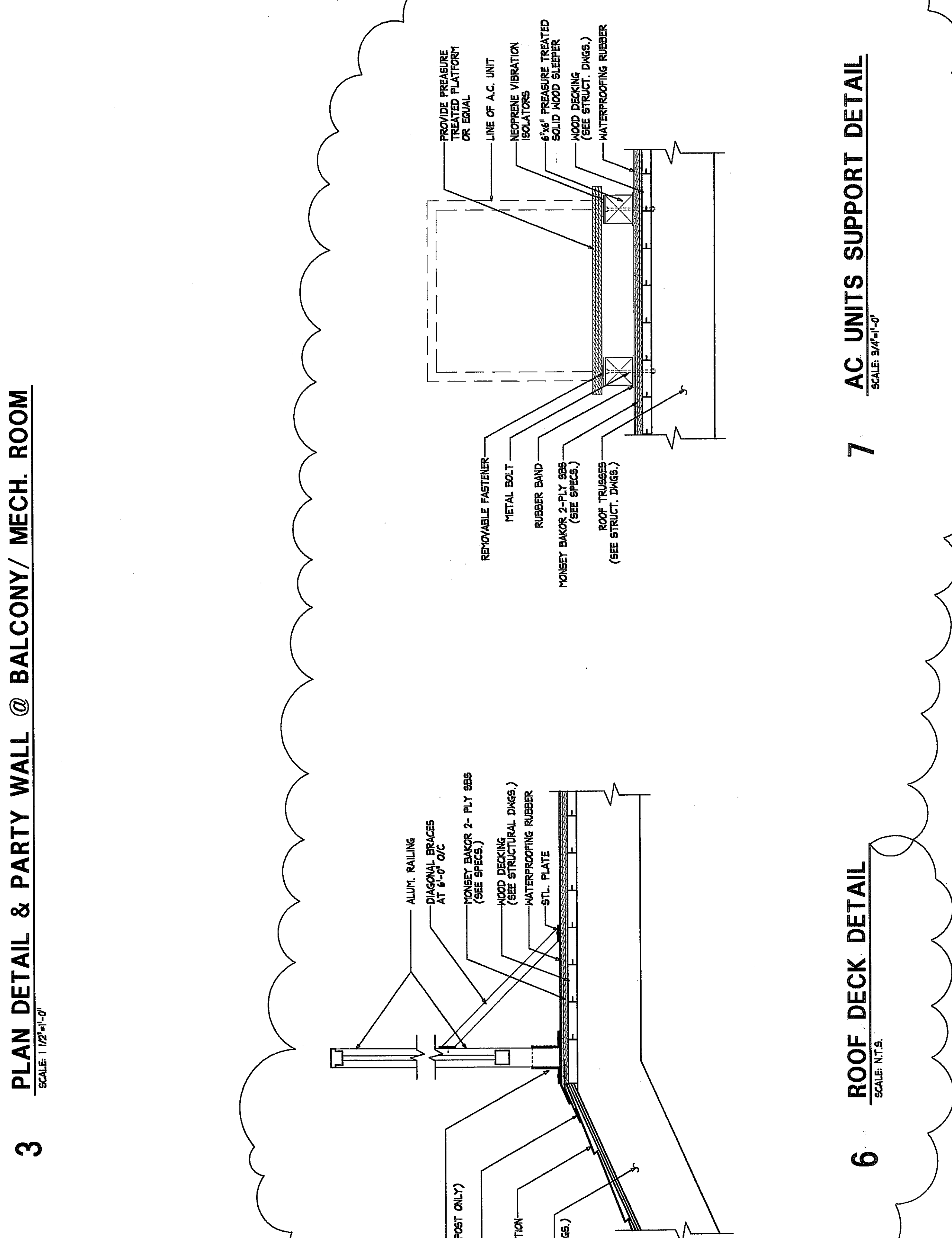
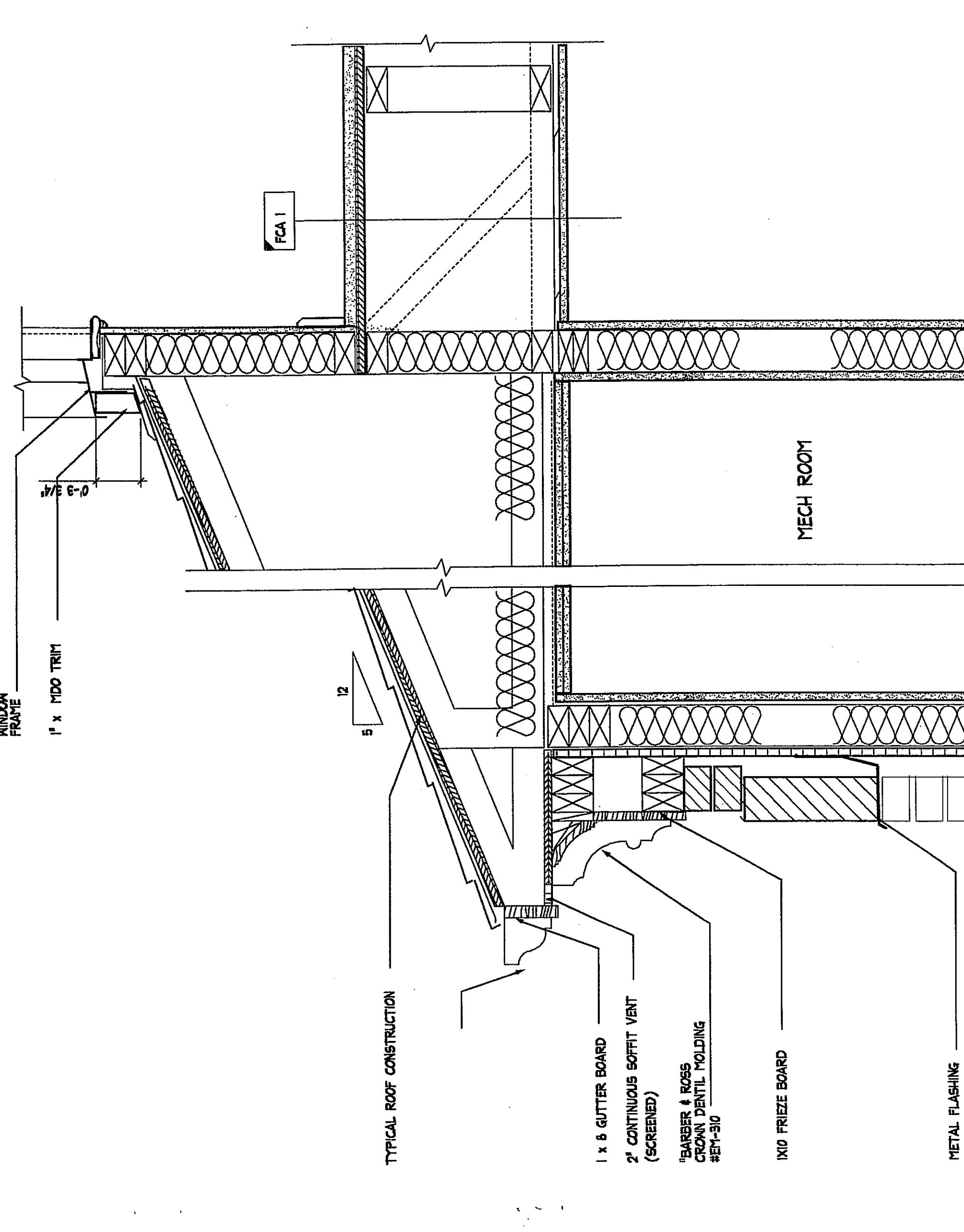
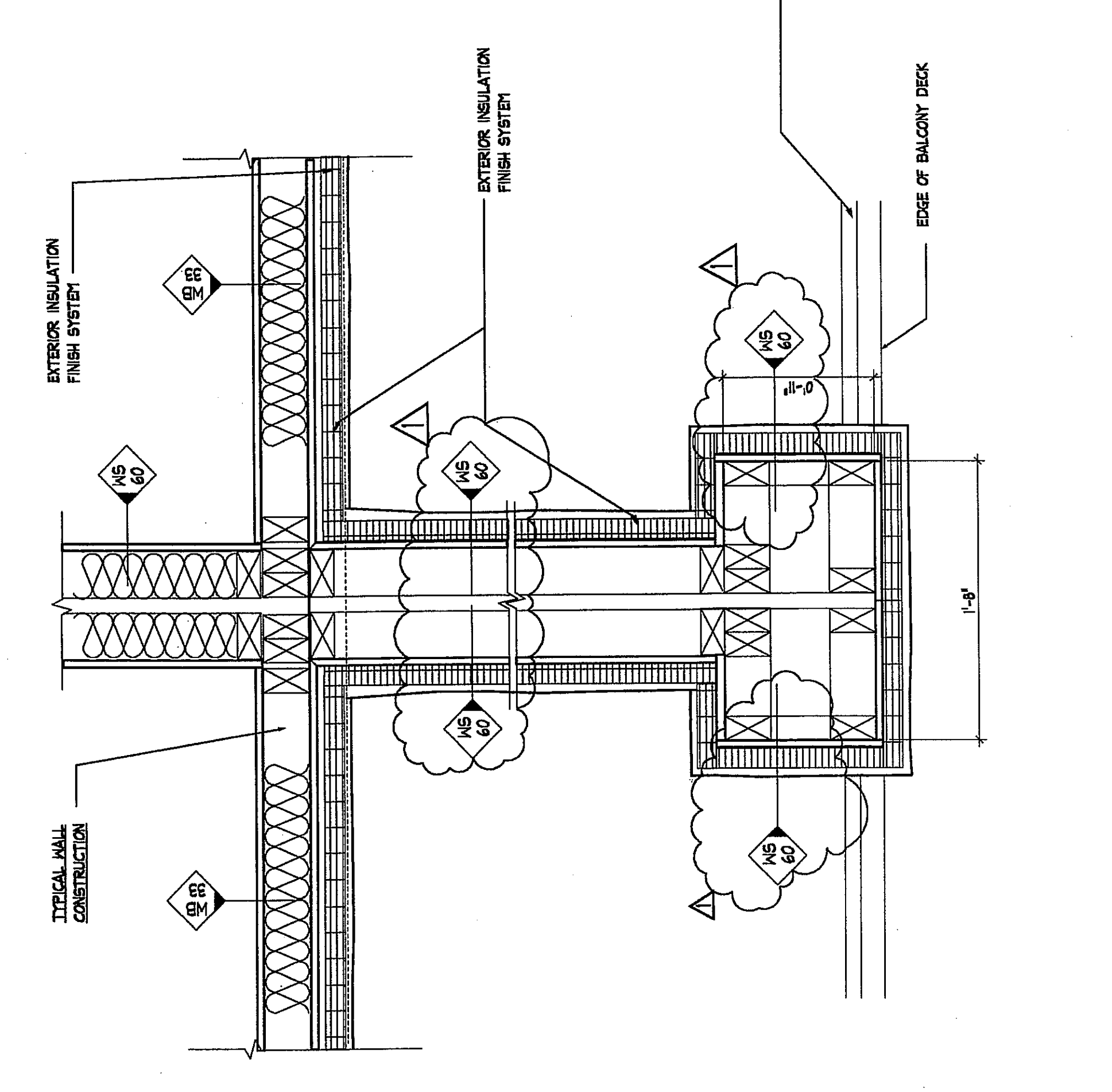
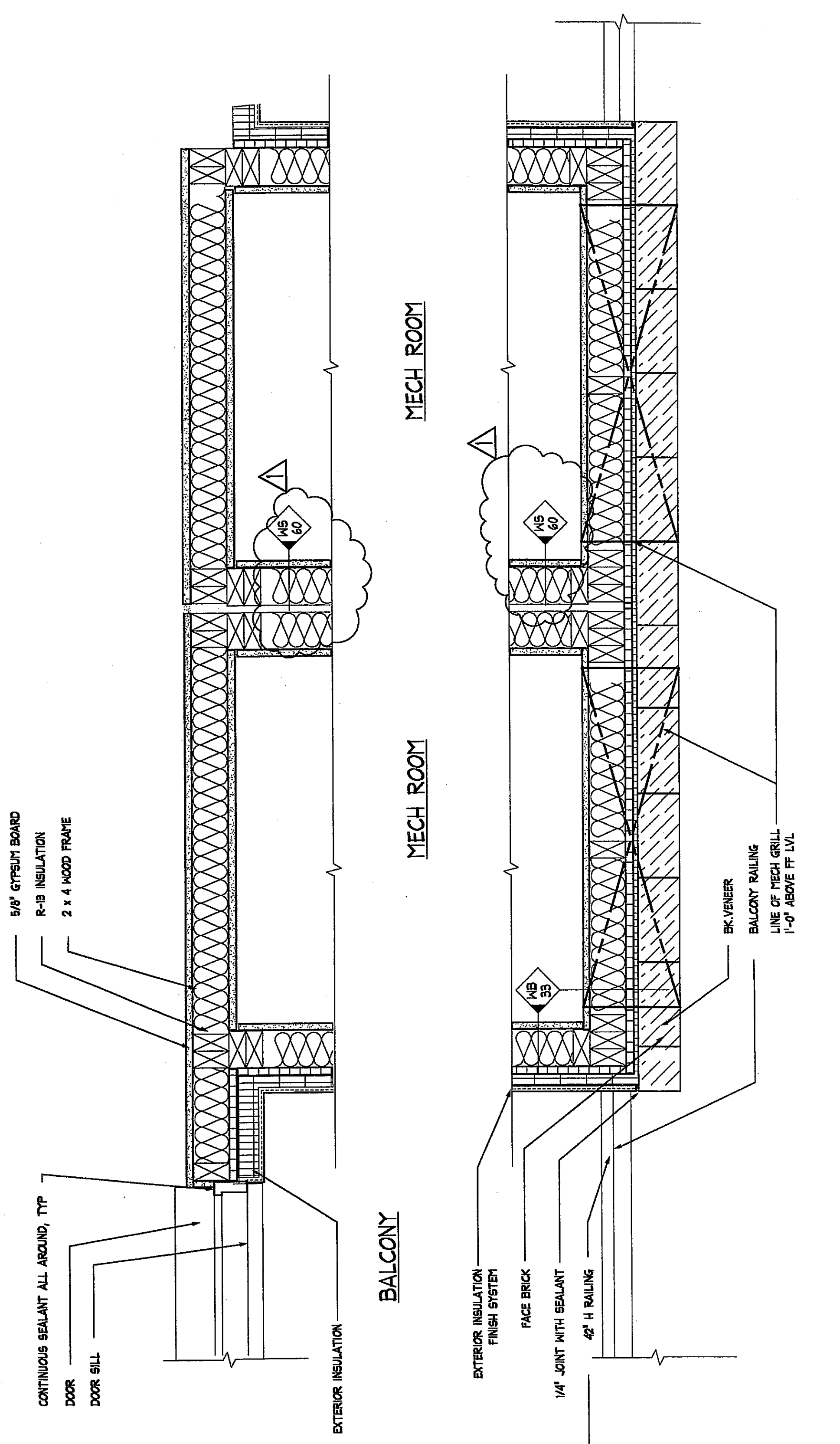
PROJECT NAME:
METRO PLACE CONDOS
AT DUINN LORING
FAIRFAX COUNTY
VIRGINIA

DRAWN BY: _____
PROJECT NO.: _____
DATE: _____
SCALE: 1/2" = 1'-0"

SHEET NO.: _____
TOTAL SHEETS: _____
DATE: _____
SCALE: 1/2" = 1'-0"

A6-05

DRW NAME: P:\JADE\14141655\A6-05.DWG, BR: C:\ARCH\TIME: 08/13/00 10:19 AM, PLOT: BR: C:\ARCH\TIME: 08/13/00 10:19 AM



NOTE: ALL EXTERIOR EXPOSED WOOD TO BE PRESSURE TREATED.

NOTE: ALL EXTERIOR INSULATION FINISH SYSTEM HAVE BEEN DELETED FROM THIS ENTIRE PROJECT. IT HAS BEEN REPLACED BY FACE BRICK AND HARDIPLANK SYSTEM (@ DORMERS ONLY).

